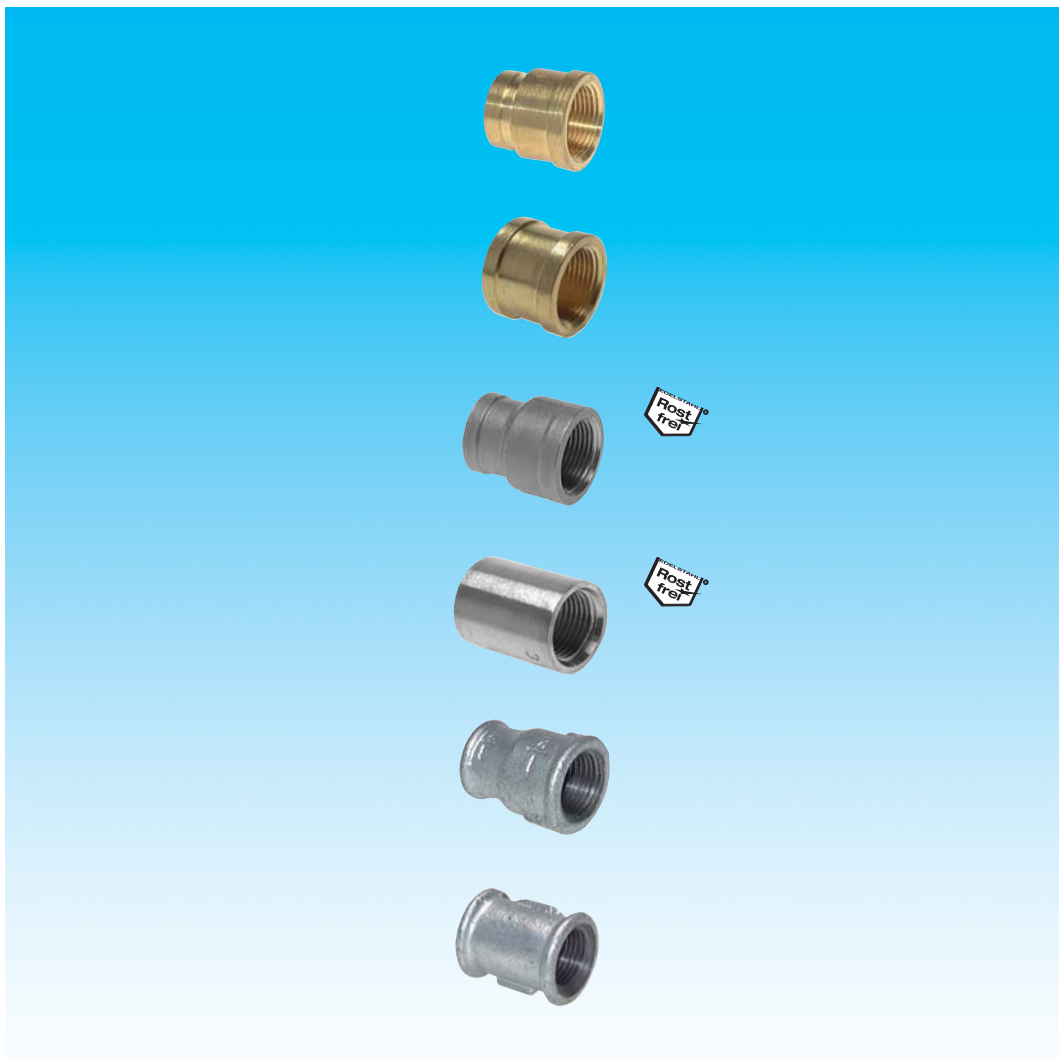


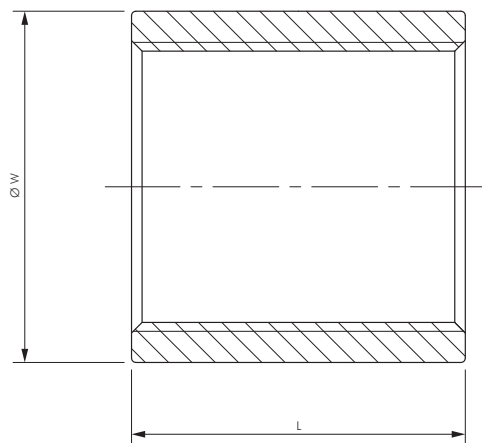
Dokumentation

Muffen/Reduziermuffen - rund PN 16/25 - Typ MUR ... MS, MUR ... ES, MUR ... ST -



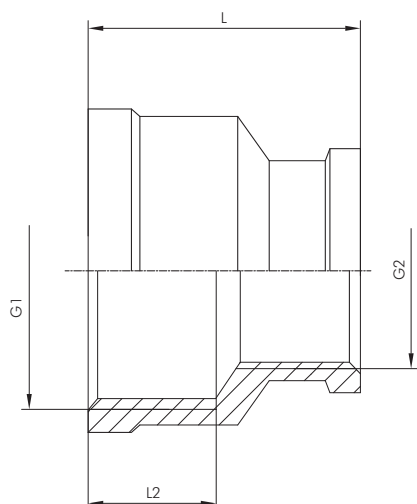
3. Artikelnummern und technische Daten

MUR ... ES



Typ 16 bar 1.4571			
	Gewinde	L	Ø W
MUR 18 ES	Rp 1/8"	20,0	13,5
MUR 14 ES	Rp 1/4"	25,0	18,0
MUR 38 ES	Rp 3/8"	25,0	21,5
MUR 12 ES	Rp 1/2"	33,0	26,0
MUR 34 ES	Rp 3/4"	35,0	31,5
MUR 10 ES	Rp 1"	42,5	39,0
MUR 114 ES	Rp 1 1/4"	46,5	47,5
MUR 112 ES	Rp 1 1/2"	46,0	54,0
MUR 20 ES	Rp 2"	54,5	66,5
MUR 212 ES	Rp 2 1/2"	65,0	83,0

MUR ... MS



Typ 16 bar Messing			
	G1	G2	L
MUR 3814 MS	G 3/8"	G 1/4"	23,0
MUR 1012 MS	G 1"	G 1/2"	32,5